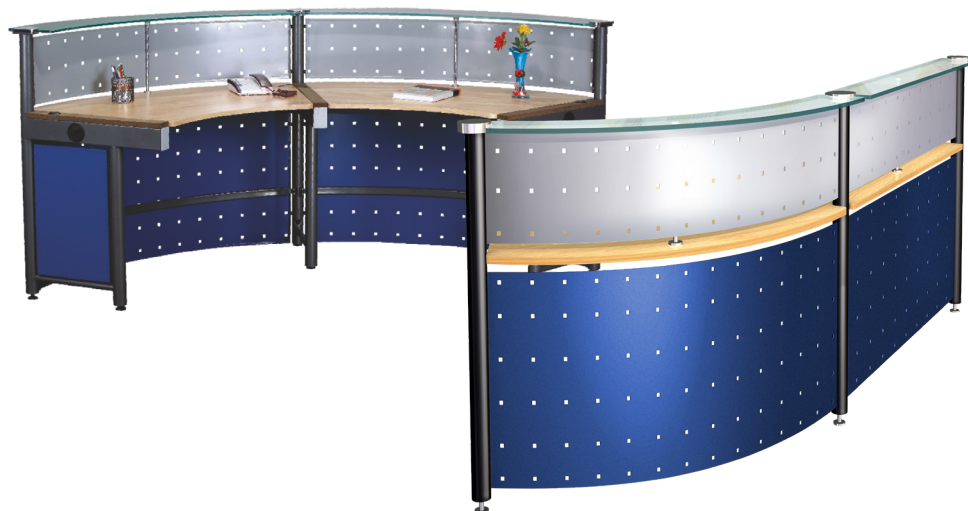




DESKING

Reception

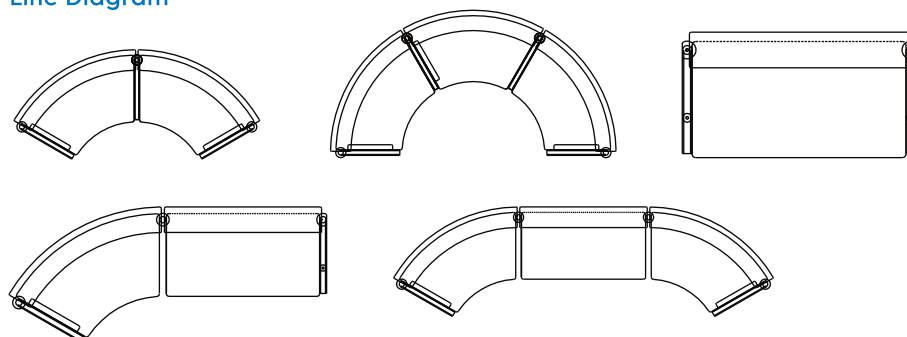
DESKING/Reception/First Impression



Features:

- Curvilinear wood tops, chrome plated glass mountings for enhanced aesthetic
- Perforated modesty panels and glass counter for easy but unobtrusive contact with the visitor
- Mobile storage space and sleek wire management for that immaculate and uncluttered look
- Separate knock-down segments to suit different space requirements

Line Diagram



Specification

Model	Length	Depth	Height
First Impression Double Curved	241	106.50	103.50
First Impression Triple Curved	280	143	103.50
First Impression Single Recta and Single Curved	249	106	103.50
First Impression Single Recta and Double Curved (on both sides)	366.50	106	103.50
Single Recta	131	70.25	103.50

All sizes in CM