



# DESKING

# Cafeteria and Breakout Areas

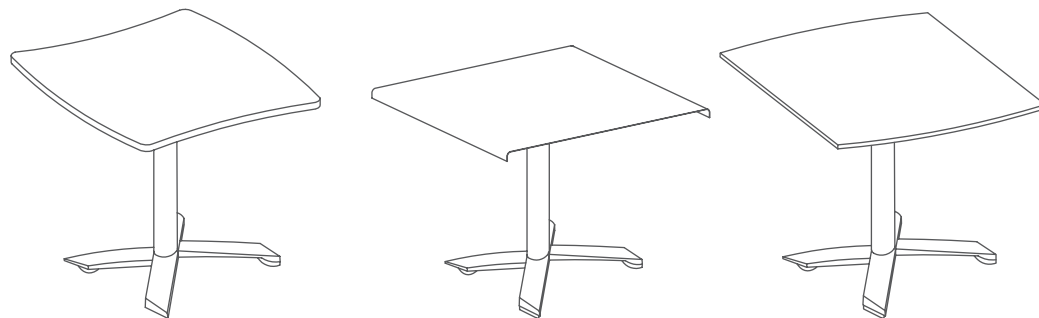
DESKING/Cafeteria and Breakout Areas/**Cafe Pod**



**Features:**

- Design provides clean and hygienic cafeterias
- Folding design
- Horizontal stacking
- Serrated Stainless Steel pedestal for aesthetics and sturdiness

**Line Diagram**



**Specification**

Model	Length	Depth	Height
Rubber Wood Top	80	80	73.80
Stainless Stool Top	80	80	74.25
PU Top	80	80	74.50

All sizes in CM

**Colour Swatch**

**PU Coated Top**



**Rubber Wood Top**

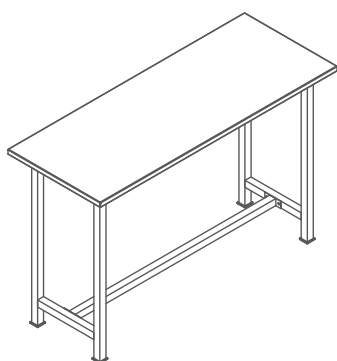


**Stainless Steel Top**



DESKING/Cafeteria and Breakout Areas/**Relish****Features:**

- Stainless Steel top facilitates easy maintenance without getting damp
- Stainless Steel top is supported with particle board that gives the table the needed strength
- Available in two variants, 2 and 4 seater combinations
- Can be used for serving as well as eating meals

**Line Diagram****Specification**

Model	Length	Depth	Height
Relish 1	118	46	75
Relish 2	118	75	75

All sizes in CM

**Colour Swatch**

Stainless Steel Top

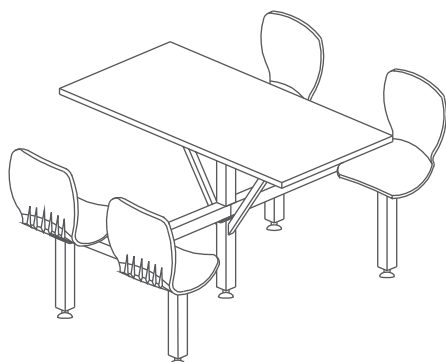
DESKING/Cafeteria and Breakout Areas/**Cantina**



**Features:**

- Stainless Steel top ensures ease of cleaning
- Stainless Steel top is supported with particle board that gives the table the needed strength
- Integrated table and seat ensures space optimization
- Option of chairs and stools

**Line Diagram**

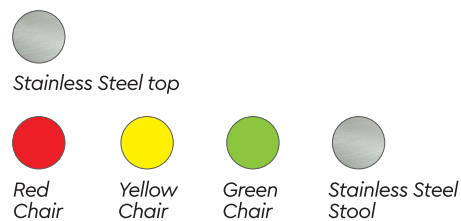


**Specification**

Model	Length	Depth	Height
Cantina with Plastic Shell Seat	118	149.20	75
Cantina with Stainless Steel Stool	118	158	75

All sizes in CM

**Colour Swatch**



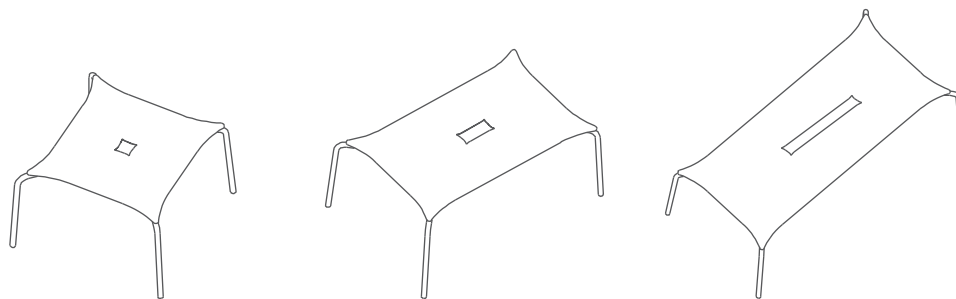
## DESKING/Cafeteria and Breakout Areas/Time Out



### Features:

- It is sleek & stackable to ensure better space management for the user
- It has a wide range of colours available that are suitable for both trendy & traditional meal spaces
- Also available in PU Coated top & Membrane top
- Options of 4, 6 & 8 seater configurations gives ample choice to the user as per his requirement

### Line Diagram

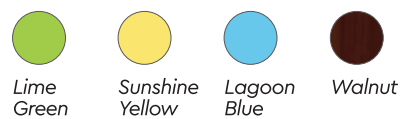


### Specification

Model	Length	Depth	Height
4 Seater	113.50	117.50	75
6 Seater	173.40	117.50	75
8 Seater	232.90	117.50	75

All sizes in CM

### Colour Swatch

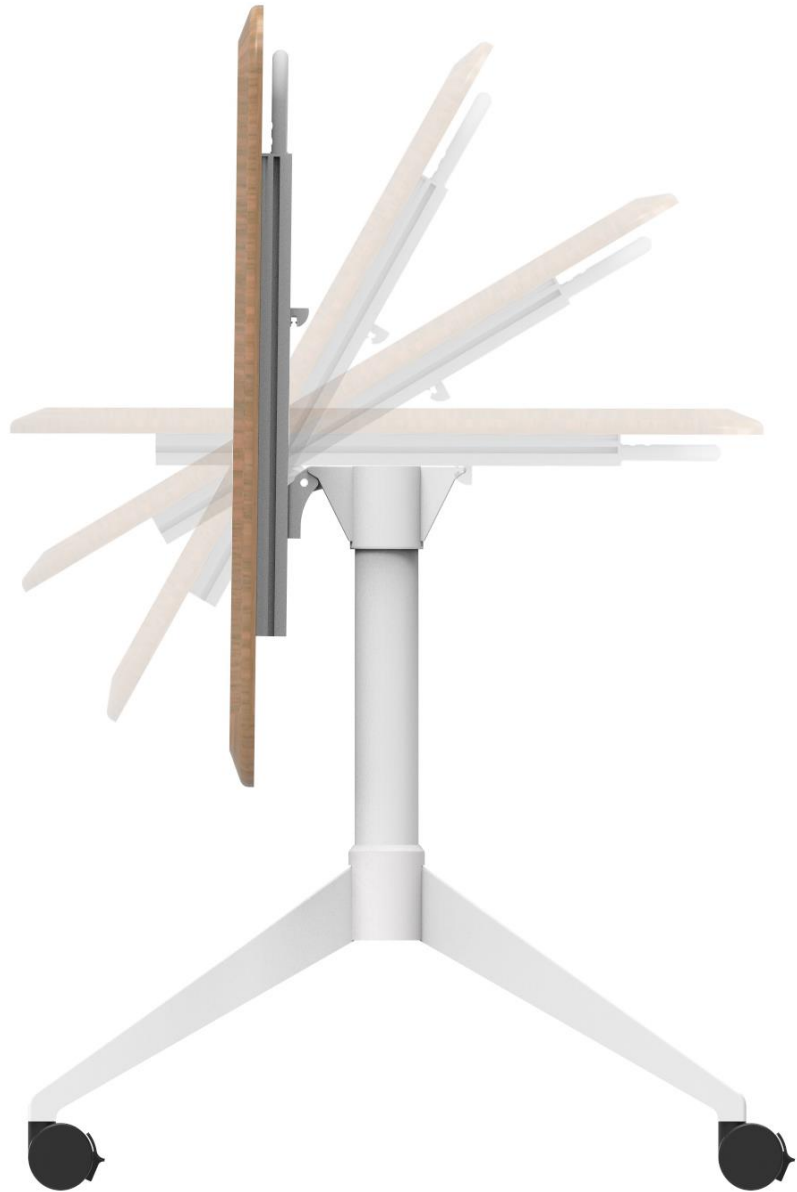


Lime  
Green

Sunshine  
Yellow

Lagoon  
Blue

Walnut



# FLIP NXT

By Godrej Interio







In today's age, organizations need high degree of flexibility in office and café spaces.

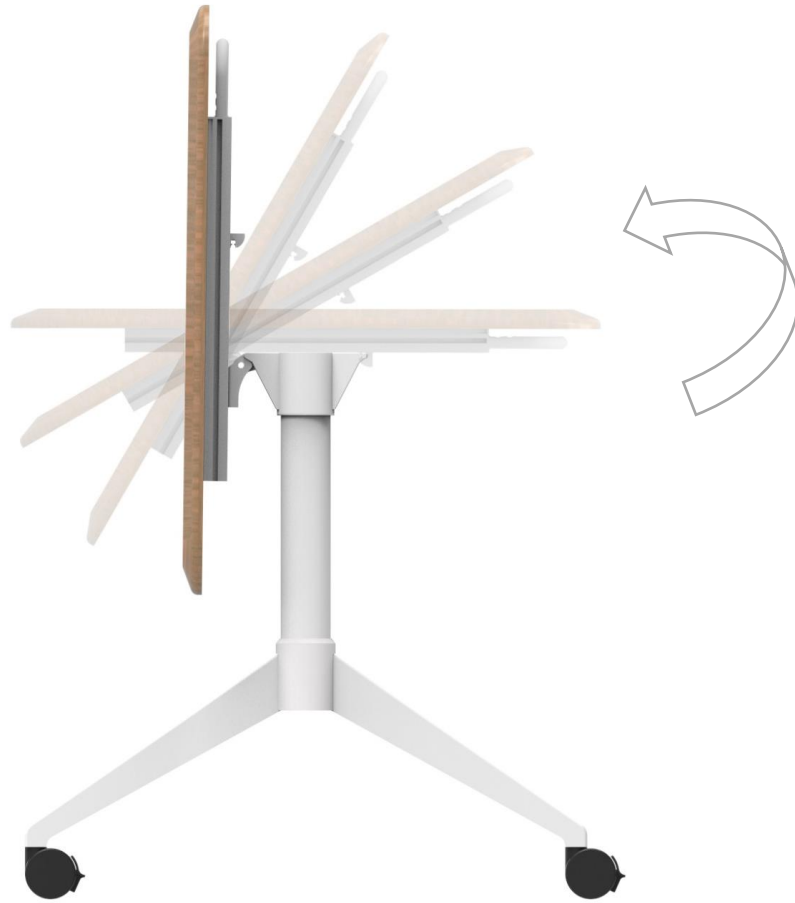




Users need to be able to set up their spaces quickly for multiple uses

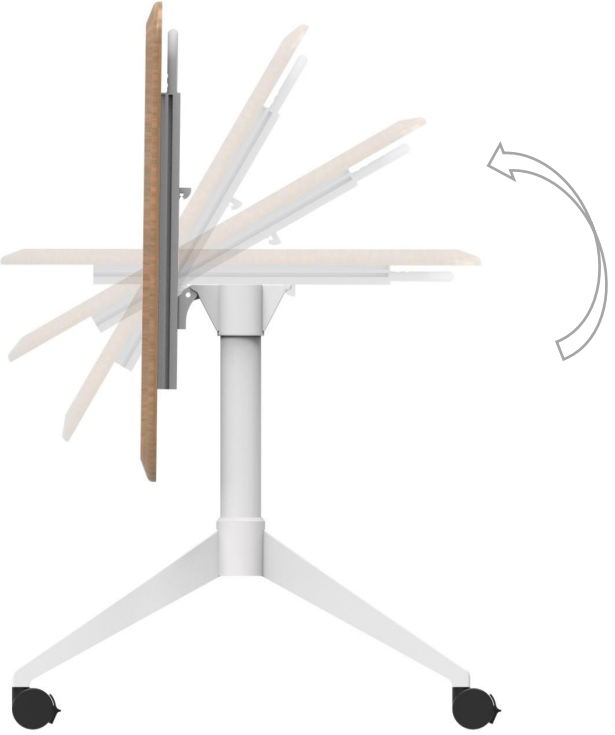


FLIP NXT is designed for the next generation of Active Spaces



The versatile  
'Flip **NXT**' table  
with its **simple**  
**folding and**  
**stacking**  
**mechanism** meets  
the re-configuring  
and hygiene needs  
of a modern work  
place





FLIP IT to create the space you need







Designed to  
bring flexibility  
to training  
rooms.





And cafeteria spaces..









An orange graphic element consisting of two overlapping rectangles. The top rectangle is wider and shorter, while the bottom rectangle is narrower and taller, creating a shape that resembles a stylized 'L' or a cross with a missing top-right quadrant.

# **Product Differentiation**

# Features



## Unique Understructure

Unique design of legs and under structure seamlessly blends with aesthetics of trendy offices.



## Sleek Design

Sleek and lightweight design facilitates smoother movement of the table and enables change of space setting instantly.

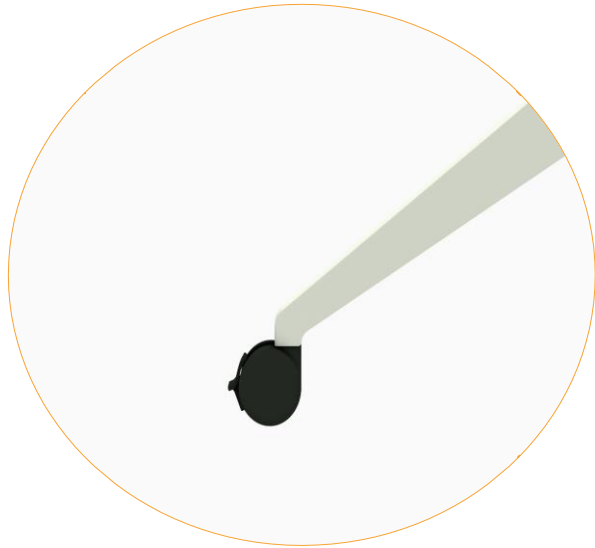


## 360° Movement castors

The castors have 360° movement allowing Flip to quickly align in the direction of motion.



# Features



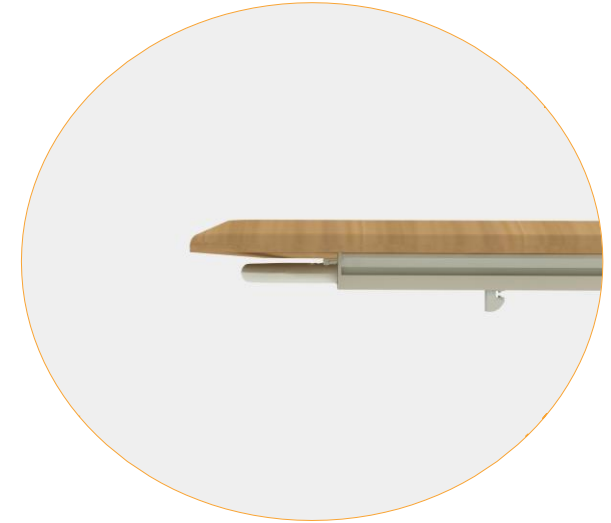
## Lockable Castors

Legs are equipped with four lockable castors which restrict the table firmly in one place when locked.



## Rounded Edges

Rounded corners of the worktops impart softer feel to the table and avoid any accidental injury.



## Easy Operation

Easy to access operating handle underneath the table top helps in flipping the table.



# FLIP NXT Benefits



## Stackable Tables

Multiple FLIP NXT tables can be easily stacked together to save space



## Multiple possible configurations

Easy flip and stack mechanism makes it easier to create multiple space configurations



## Easy Seating from both sides

Option of 750 mm worktop provides accommodation of seating from both sides of the table



# FLIP Table Color Options

FLIP NXT











Thank you.